

## M23 SERVO CABLE

Specification: 6FX8002-5DS01-1CE0

Power cable with brake wires for SINAMICS S120 and motors with M23 connection and holding brake

Female straight – pre-wired terminals

M23, 6-pole

shielded

without cable sleeves

Further cable lengths on request.

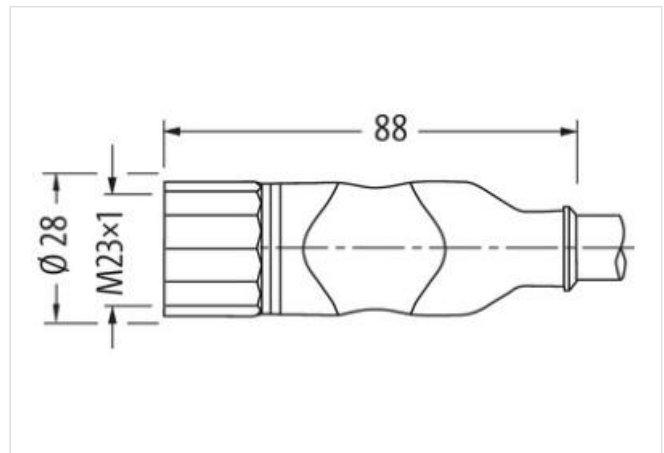
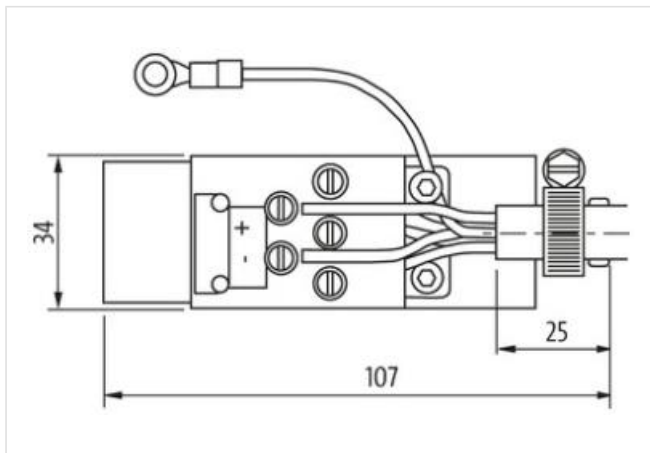
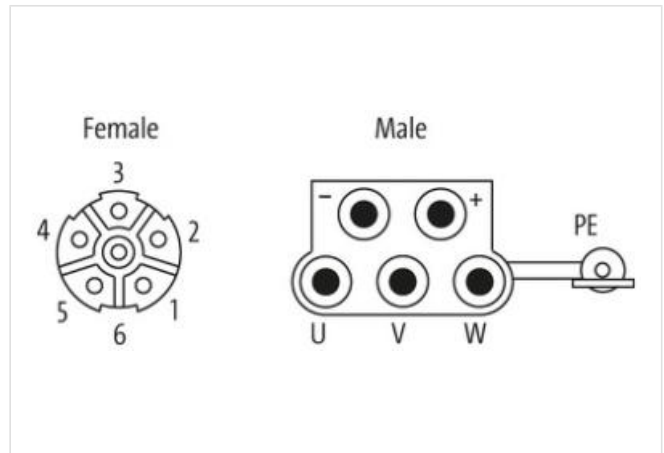
Plastic housings with good resistance against chemicals and oils.

The resistance to aggressive media should be individually tested for your application. Further details on request.

Power cores: 12 A (1.5 mm<sup>2</sup>), 15 A (2.5 mm<sup>2</sup>); brake cores: 5 A (1.5 mm<sup>2</sup>)

### [Link to Product](#)

#### Illustration



Product may differ from Image

|              |      |
|--------------|------|
| Cable length | 24 m |
|--------------|------|

#### Side 1

|                   |      |
|-------------------|------|
| Tightening torque | 2 Nm |
|-------------------|------|

|                          |     |
|--------------------------|-----|
| Family construction form | M23 |
|--------------------------|-----|

|        |         |
|--------|---------|
| Thread | M23 x 1 |
|--------|---------|

|   |   |
|---|---|
| suitable for corrugated tube (internal Ø)       | 16 mm   |
| Width across flats                              | SW27  |
| <b>Commercial data</b>                          |   |
| ECLASS-6.0                                      | 27279218  |
| ECLASS-6.1                                      | 27279218  |
| ECLASS-7.0                                      | 27279218  |
| ECLASS-8.0                                      | 27279218  |
| ECLASS-9.0                                      | 27060327  |
| ECLASS-10.1                                     | 27060311  |
| ECLASS-11.1                                     | 27060311  |
| ECLASS-12.0                                     | 27060327  |
| ETIM-5.0  | EC001855  |
| customs tariff number                           | 85444290  |
| GTIN  | 4048879627337   |
| Packaging unit                                  | 1   |
| <b>Electrical data   Supply</b>                 |   |
| Operating voltage AC per power contact max.     | 600 V   |
| Operating voltage AC per signal contact max.    | 250 V   |
| Operating voltage DC per power contact max.     | 600 V   |
| Operating voltage DC per signal contact max.    | 250 V   |
| <b>Device protection   Electrical</b>           |   |
| Degree of protection (EN IEC 60529)             | IP20, IP67  |
| Pollution Degree                                | 3   |
| Rated surge voltage power contacts              | 4 kV  |
| Rated surge voltage signal contacts             | 2 kV  |
| Material group (IEC 60664-1)                    | I   |
| <b>Mechanical data   Material data</b>          |   |
| Coating locking                                 | nickel plated   |
| Material housing                                | PUR   |
| Locking material                                | Brass   |
| <b>Mechanical data   Mounting data</b>          |   |
| Mounting method                                 | inserted, screwed, Shaking protection   |
| <b>Environmental characteristics   Climatic</b> |   |
| Operating temperature min.                      | -25 °C  |
| Operating temperature max.                      | 85 °C   |
| Additional condition temperature range          | depending on cable quality  |
| <b>Important installation notes</b>             |   |
| Note on strain relief                           | Protect the connectors by suitable measures from mechanical loads, e.g. by the usage of cable ties.   |
| Note on bending radius                          | <b>Attention:</b> Observe the permissible bending radii when laying cables, as the IP protection class can be endangered by excessive bending forces. |
| <b>Installation   Cable</b>                     |   |
| wire arrangement                                | black, white, (black W/L3/D/L-, black U/L1/C/L+, black V/L2, green-yellow)  |
| Cable identification                            | 821   |
| Function cable                                  | Hybrid, Signal, Power   |
| Jacket Color                                    | orange  |
| Type of Certificate                             | cURus   |
| Amount stranding                                | 1   |
| Stranding                                       | 2 wires with Filler twisted   |
| Amount stranding (type 2)                       | 1   |
| Stranding (type 2)                              | 4 wires with Filler around Stranding combination twisted  |
| Cable shielding (type)                          | copper braid, tinned  |

|   |  |
|---|--|
| Cable shielding (coverage)                                | 85 %   |
| Pair shielding (type)                                     | copper braid, tinned   |
| Banding   | Fiber tape, Fleece, Foil   |
| Filler  | yes  |
| wire arrangement  | black, white, (black W/L3/D/L-, black U/L1/C/L+, black V/L2, green-yellow) |
| Cable weight  | 231 g/m  |
| Material jacket   | TMPU   |
| Freedom from ingredients (jacket)                         | lead-free, CFC-free, halogen-free, silicone-free                           |
| Outer-diameter (jacket)                                   | 11,3 mm  |
| Tolerance outer diameter (sheath)                         | ± 5 %  |
| Material wire insulation                                  | TPM  |
| Amount wires  | 2  |
| Outer diameter insulation                                 | 2,4 mm   |
| Outer diameter tolerance core insulation                  | ± 5 %  |
| Ingredient freeness wire insulation                       | lead-free, CFC-free, halogen-free, silicone-free                           |
| Amount strands (wire)                                     | 84   |
| Diameter of single wires                                  | 0,15 mm  |
| Conductor crosssection (wire)                             | 1,5 mm <sup>2</sup>  |
| Material conductor wire                                   | Stranded copper wire, bare   |
| Conductor type (wire)                                     | strand class 6   |
| Material wire insulation (Power)                          | TPM  |
| Outer diameter wire insulation (Power)                    | 2,4 mm   |
| Tolerance outer diameter wire insulation (Power)          | ±5 %   |
| Ingredient freeness wire insulation (Power)               | lead-free, CFC-free, halogen-free, silicone-free                           |
| Printing colour wire insulation (Power)                   | white (isolation black)  |
| Amount wires (Power)                                      | 4  |
| Amount strands wire (Power)                               | 84   |
| Diameter of single wires (Power)                          | 0,15 mm  |
| Wire conductor cross section (Power)                      | 1,5 mm <sup>2</sup>  |
| Material conductor wire (Power)                           | Stranded copper wire, bare   |
| Conductor type wire (Power)                               | strand class 6   |
| Max. rated voltage (conductor - conductor)                | 1000 V   |
| Max. rated voltage (conductor - ground)                   | 600 V  |
| Current load capacity (standard)                          | to DIN VDE 0298-4  |
| Current load capacity min. wire                           | 12,6 A   |
| Current carrying capacity min. wire (Power)               | 12,6 A   |
| Electrical resistance line constant wire                  | 13,7 Ω/km @ 20 °C  |
| Electrical resistance coating wire (Power)                | 13,7 Ω/km @20 °C   |
| AC withstand voltage (wire - wire)                        | 4 kV @ 300 s   |
| Electrical capacity line constant (wire - wire)           | 120000 pF/km   |
| Electrical capacity line constant (wire - shield)         | 160000 pF/km   |
| Power frequency withstand voltage (wire - jacket)         | 4 kV @ 300 s   |
| AC withstand voltage (wire - shield)                      | 4 kV @ 300 s   |
| Isolation resistance                                      | 2500 MΩ × km   |
| Electrical capacity line constant (wire - shield) (power) | 160000 pF/km   |
| Electrical capacity line constant (wire - wire) (power)   | 90000 pF/km  |
| AC withstand voltage power (wire - shield)                | 4 kV @ 300 s   |
| Power frequency withstand voltage power (wire - jacket)   | 4 kV @ 300 s   |
| AC withstand voltage power (wire - wire)                  | 4 kV @ 300 s   |
| Min. operating temperature (static)                       | -30 °C   |
| Max. operating temperature (fixed)                        | 80 °C  |

The information in this Product-PDF has been compiled with the utmost care.

Liability for the correctness completeness and topicality of the information is restricted to gross negligence. Version: 2024-06-23

|                                      |  |
|--------------------------------------|--|
| Operating temperature min. (dynamic) | -30 °C   |
| Operating temperature max. (dynamic) | 80 °C  |
| Flame resistance                     | UL 1581 § 1100 FT2   IEC 60332-2-2   UL 1581 § 1090  |
| chemical resistance                  | Good, application-related testing                    |
| Gasoline resistance                  | Good, application-related testing                    |
| Oil resistance                       | DIN EN 60811-404   Good, application-related testing |
| Bending radius (fixed)               | 4 x Outer diameter                                   |
| Bending radius (dynamic)             | 7,5 x Outer diameter                                 |
| No. of bending cycles (C-track)      | 10 Mio. @ 25 °C                                      |
| Traversing distance (C-track)        | 50 m @ 25 °C   horizontal                            |
| Travel speed (C-track)               | 5 m/s @ 25 °C  |
| Torsion stress                       | ± 30 °/m   |