

A16 Hood, low profile, IP65

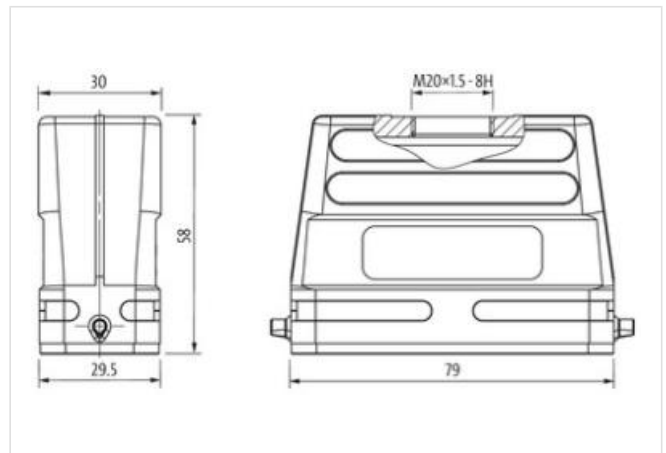
Single locking lever, top entry M20

A16
Hood (low)
Single locking lever
IP65

Technical data will be only guaranteed with Murrelektronik components.

[Link to Product](#)

Illustration



Product may differ from Image

Commercial data

ECLASS-6.0	27279221
ECLASS-6.1	27261203
ECLASS-7.0	27440202
ECLASS-8.0	27440202
ECLASS-9.0	27440202
ECLASS-10.1	27440202
ECLASS-11.1	27440202
ECLASS-12.0	27440202
ETIM-5.0	EC000437
customs tariff number	85389099
GTIN	4048879696401
Packaging unit	1

Installation

Cable outlet straight

Installation | Connection

Mounting set M20
Mating cycles min. 500

Device protection | Electrical

Degree of protection (EN IEC 60529) IP65
Additional condition protection degree inserted, locked, with screw connection

Mechanical data

Housing type Hood

Mechanical data | Material data

Coating housing	powder-coated
Coating locking	verzinkt
Material gasket	CR
Material housing	Aluminum die casting
Locking material	Steel

Mechanical data | Mounting data

Size	A16
Height	58 mm
Width	30 mm
Depth	79 mm
Locking techniques	Single locking lever

Environmental characteristics | Climatic

Operating temperature min.	-40 °C
Operating temperature max.	100 °C
Climatic category (EN IEC 60068-1)	40/100/21