

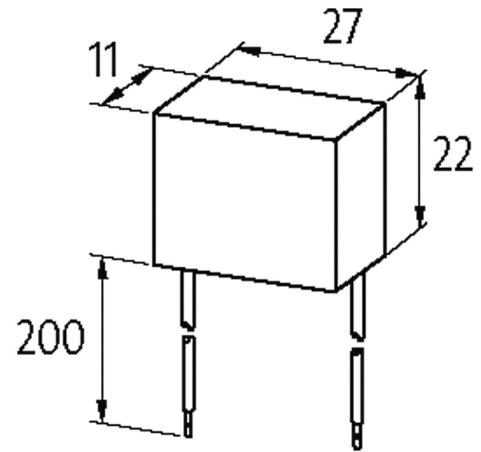
**SUPPRESSOR FOR CONTACTORS**

RC, 230 VAC/DC, 20 VA/W

230 V AC/DC

RC

For other configurations and voltages, please inquire.

[Link to Product](#)**Illustration**

RC

Product may differ from Image

**Technical Data**

Damping factor	approx. 1.5× UN
Material	Flame retardant plastic acc. to (UL 94)
Connection wires	flexible connection wires
max. power (W)	20 W (VA)

**General data**

Dimensions H×W×D	22×27×11 mm
Temperature range	-20...+70 °C

The information in this brochure has been compiled with the utmost care.  
Liability for the correctness completeness and topicality of the information is restricted to gross negligence. Version: 10/21

**Appropriate contactors**

universal

**Commercial data**

country of origin	CZ
customs tariff number	85363010
EAN	4048879020343
eClass	27371013
Packaging unit	1