

MOTOR SUPPRESSOR

Varistor, 3x575VAC/20kW

3 × 575 V AC

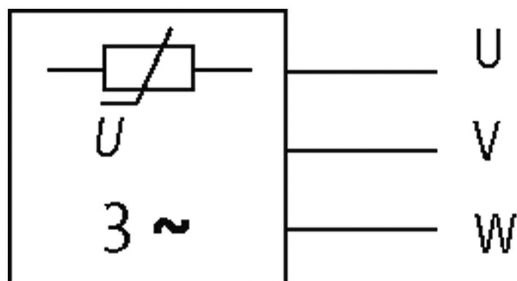
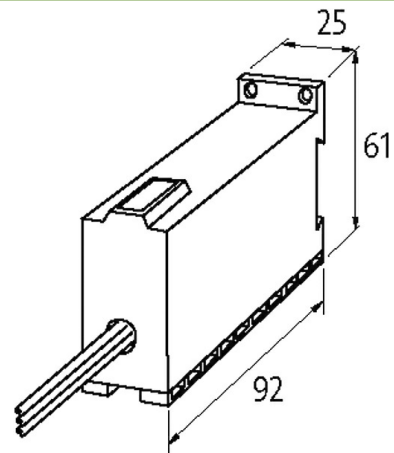
VDR

For DIN-rail mounting use 2×Art.-No. 20900 adapter feet

Suppressors for other voltages, frequencies, and motor ratings available on request. Do not use RC motor suppressors with frequency inverters.

Link to Product

Illustration



VDR

Product may differ from Image

Technical Data

Frequency	10...400 Hz
Material	Flame retardant plastic acc. to (UL 94)
Potting compound	2-component epoxy

General data

Connection	approx. 500 mm, single cores 1 mm ²
Mounting method	DIN-rail mountable TH35 (EN 60715)
Temperature range	-20...+60 °C
Dimensions H×W×D	92×61×25 mm

Commercial data

country of origin	CZ
customs tariff number	85363010
EAN	4048879019361
eClass	27371013
Packaging unit	1