

## SIEMENS CONTACTOR SUPPRESSOR

Varistor, 24VAC/DC

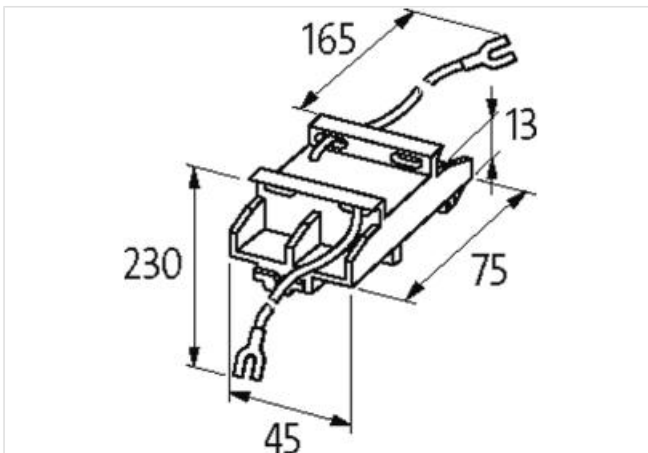
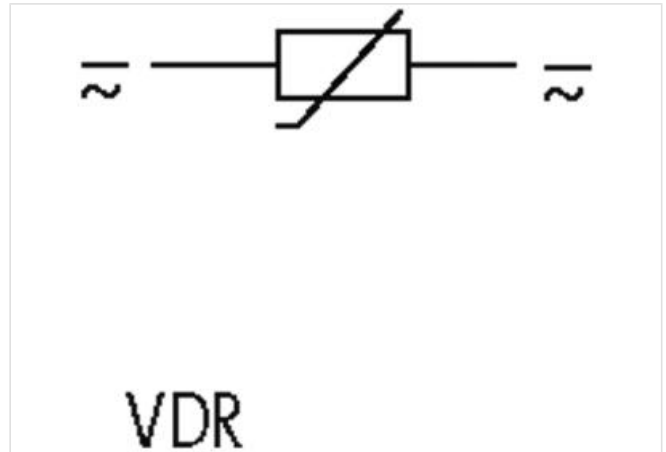
24 V AC/DC

VDR

For other configurations and voltages, please inquire.

### [Link to Product](#)

#### Illustration



Product may differ from Image



#### Technical Data

Input voltage	12...30 V AC/DC
Material	Flame retardant plastic acc. to (UL 94)
Damping factor	approx. 1.5× UN
Connection wires	self-securing cable forks
max. power (W)	50 W (VA)

#### General data

The information in this brochure has been compiled with the utmost care.

Liability for the correctness completeness and topicality of the information is restricted to gross negligence. Version: 2022-08-12

Murrelektronik Ltd. | 5 Albion Street, Pendlebury Industrial Estate, Swinton | Manchester M27 4FG | Fon +44 161 728 3133 | Fax +44 161 728 3130 | shop@murrelektronik.co.uk | shop.murrelektronik.co.uk

Mounting method	DIN-rail mountable (EN 60715)
Temperature range	-20...+70 °C
Dimensions H×W×D	75×45×13 mm

**Appropriate contactors**

universal