

UNIVERSAL CONTACTOR SUPPRESSOR

Varistor, 24VDC/50VA/W

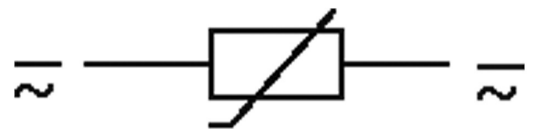
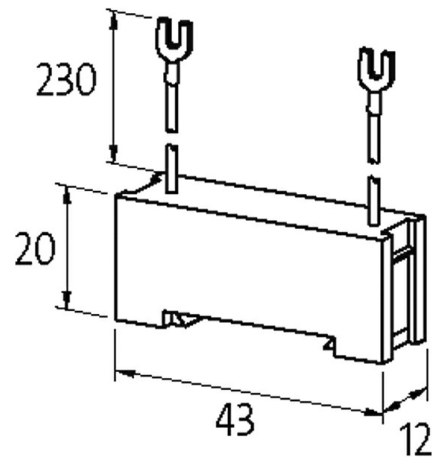
24 V AC/DC

VDR

For other configurations and voltages, please inquire.

[Link to Product](#)

Illustration



VDR

Product may differ from Image

Approvals



Technical Data

max. power (W) 50 W (VA)

General data	
Dimensions H×W×D	20×43×12 mm
Temperature range	-20...+70 °C
Appropriate contactors	
	universal
Commercial data	
country of origin	CZ
customs tariff number	85363010
EAN	4048879018234
eClass	27371013
Packaging unit	1