

SUPPRESSOR FOR SIEMENS CONTACTOR

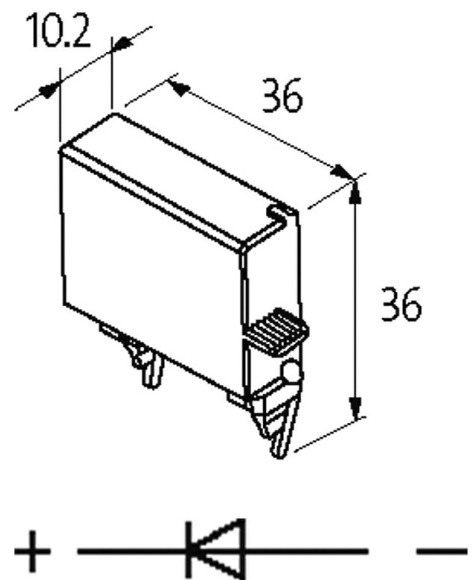
Diode combination, 24 VDC, 10 W

24 V AC/DC

Diode

[Link to Product](#)

Illustration



Diode

Product may differ from Image

Approvals



General data

Dimensions H×W×D 36×10.2×36 mm

Temperature range -20...+70 °C

Technical Data

Damping factor	approx. 1.5× UN
Material	Flame retardant plastic acc. to (UL 94)
Connection wires	Plug contact

Appropriate contactors

3 RT 1.3/1.4

Commercial data

country of origin	CZ
customs tariff number	85363010
EAN	4048879017541
eClass	27371013
Packaging unit	1