

MVP12, 4XM12, 4POLE, PLUGGABLE CABLE

5.0m PUR/PVC 4x0,34+3x0,75

4-way, 4-pole

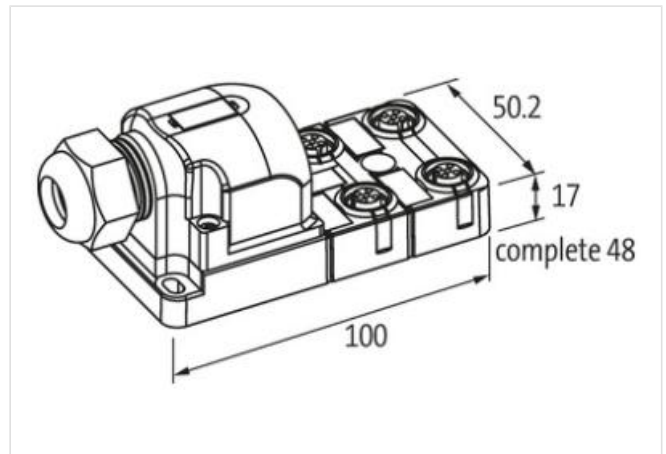
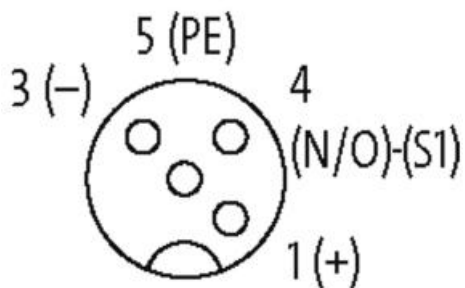
PUR/PVC

5.0 m

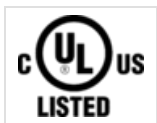
with LED for digital PNP-signals 24 V DC

Further cable lengths on request.

Plastic housings with good resistance against chemicals and oils.

[Link to Product](#)**Illustration****M12 Females 4-pole**

Product may differ from Image

**Technical Data**

Operating voltage	24 V DC $\pm 25\%$
Operating current per contact	max. 4 A
Locking of ports	Screw thread (M12x1 mm)
Protection	IP65 and IP67 when plugged and screwed down (EN 60529)

The information in this brochure has been compiled with the utmost care.

Liability for the correctness completeness and topicality of the information is restricted to gross negligence. Version: 2022-08-12

Murrelektronik Ltd. | 5 Albion Street, Pendlebury Industrial Estate, Swinton | Manchester M27 4FG | Fon +44 161 728 3133 | Fax +44 161 728 3130 | shop@murrelektronik.co.uk | shop.murrelektronik.co.uk

Material	PBT
Housing	Plastic, flame retardant
Signal per port	1 - (31-32)
Total current	max. 8 A
General data	
Temperature range	-20...+80 °C
Dimensions HxWxD	100x50.2x17 mm
Cables	
No./diameter of wires	4x 0.34 + 3x 0.75 mm ²
Wire isolation	PVC
C-track properties	2 Mio.
Outer Ø	7.4 mm ±5%
Cable identification	333
Cable Type	2 (PUR/PVC)
Cable number	333
Approval (cable)	UL (AWM-Style 21441/10955), CE conform
Cable weight [g/m]	91,3 g
Material (wire)	Cu wire, bare
Resistor (core)	max. 57 Ω/km (0.34 mm ²), max. 26 Ω/km (0.75 mm ²); (20 °C)
Single wire Ø (core)	0.15 mm (0.34 mm ²); 0.2 mm (0.75 mm ²)
Construction (core)	19x 0.15 mm (0.34 mm ²); 24x 0.2 mm (0.75 mm ²); (multi-strand wire class 5)
Diameter (core)	4x 0.34 + 3x 0.75 mm ²
AWG	similar to AWG 22 (0.34 mm ²); similar to AWG 18 (0.75 mm ²)
Material (wire isolation)	PVC
Material property (wire isolation)	CFC-, cadmium-, silicone- and lead-free
Shore hardness (wire isolation)	43 ±5 D
Wire-Ø incl. isolation	1.3 mm ±5% (0.34 mm ²); 1.8 mm ±5% (0.75 mm ²)
Color/numbering of wires	wh, gn, ye, gr+br, bl, gnye longitudinally striped
Shield	no
Material (jacket)	PUR/PVC
Shore hardness (jacket)	87 ±5 A
Outer-Ø (jacket)	7.4 mm ±5%
Color (jacket)	gray
Jacket Color	gray
chemical resistance	good resistance to oil, gasoline and chemicals (EN 60811-404)
Nominal voltage	U0/U 300/300 V AC
Test voltage	2000 V AC
Current load capacity	to DIN VDE 0298-4
Temperature range (fixed)	-30...+80 °C
Temperature range (fixed)	-30...+80 °C
Temperature range (mobile)	-5...+70 °C
Temperature range (mobile)	-5...+70 °C
Bend radius (fixed)	5x outer Ø
Bend radius (moving)	12x outer Ø
Bend radius (moving)	12x outer Ø
No. of bending cycles (C-track)	max. 2 Mio. (25 °C)
Travel speed (C-track)	max. 2 m/s
Acceleration (C-track)	max. 10 m/s ²
Material (jacket)	PUR/PVC
Contact Layout	
PIN 1	(+)
PIN 3	(-)
PIN 4	(NO)/(S1)

PIN 5	(Earth)
<hr/>	
LED (green): Power / LED (yellow): (S1)	

Article No.	27012
-------------	-------