

RM-22/24VAC/DC KL.BZ.EN OUTPUT RELAY

IN: 24 VAC/DC - OUT: 250 VAC/DC / 5 A

2 relays; each 2 NO/NC contacts

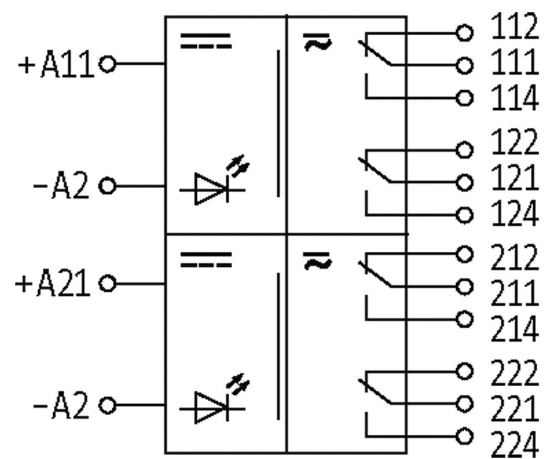
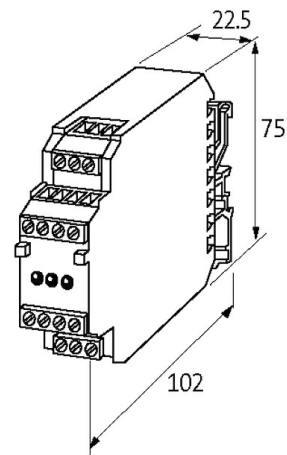
8 A

24 V DC

Screw terminals

[Link to Product](#)

Illustration



Product may differ from Image

General data

Mech./ elect. life	20 000 000 switching cycles/load dependent
Test isolation voltage	4.0 kV
Mounting method	DIN-rail mountable TH35 or G32 (EN 60715)
Temperature range	-20...+50 °C
Dimensions HxWxD	75x22.5x85 mm

Output

Switching voltage	max. 250 V AC/DC
-------------------	------------------

The information in this brochure has been compiled with the utmost care.
Liability for the correctness completeness and topicality of the information is restricted to gross negligence. Version: 04/21

Switching current per output	max. 8 A
Min. load current	100 mA
Power rating (voltage dependent)	max. 1250 VA/240 W
Switching frequency	max. 0.1 Hz (with load)
Contact material	Ag Ni 0.15 hv
Energize/release/contact bounce time	10/10/2 ms

Input

Connection voltage - current	24 V AC/DC (19.2...30 V AC/DC) - 14 mA
LED display	LED (red)

Utilization category

AC-1	8 A (24/110/230 V AC)
AC-15	3 A (24/110/230 V AC)
DC-13	2 A (24 V DC); 0.3 A (110 V DC); 0.2 A (230 V DC)

Commercial data

country of origin	CZ
customs tariff number	85364900
EAN	4048879027601
eClass	27371001
Packaging unit	1