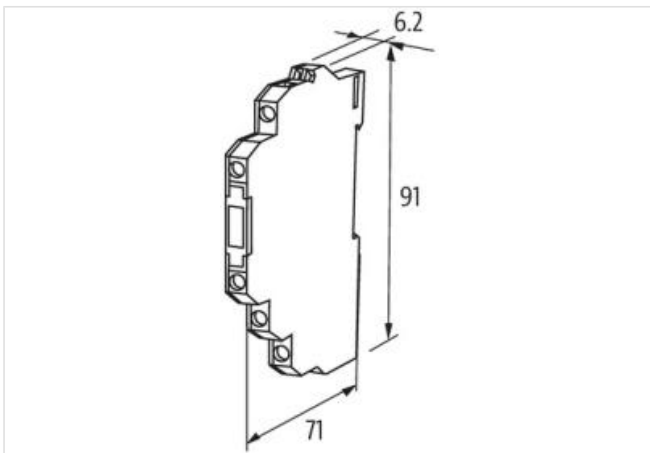
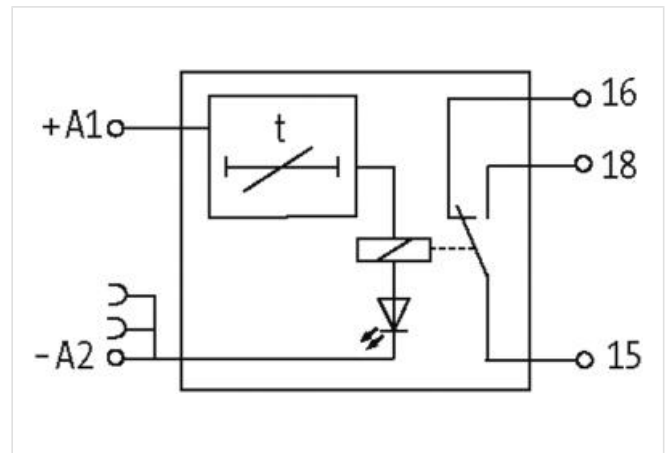


Miro 6,2 Timer On-delay max.0,1-10 sec.

MIRO 6.2 TIMER ON-DELAY

Relay output
Switch on delay: 0.1...10 s
Screw terminals

[Link to Product](#)**Illustration**

Product may differ from Image

**General data**

| | |
|------------------------|--------------------------------------------|
| Mounting method | DIN-rail mountable (EN 60715) |
| Temperature range | 0...+55 °C |
| Test isolation voltage | 4 kV; safe separation (EN 60947-1) |
| Mech./ elect. life | 20 000 000 switching cycles/load dependent |
| Dimensions HxWxD | 91x6.2x71 mm |

Output

| | |
|--------------------------------------|----------------------|
| Output voltage | max. 250 V AC/DC |
| Min. load current | 100 mA (12 V DC) |
| Output rating | max. 1500 VA/120 W |
| Contact material | Ag Sn O ₂ |
| Energize/release/contact bounce time | 10/15/1.5 ms |
| Switching frequency | max. 10 Hz |
| Output current | max. 6 A |

Input

| | |
|-----------------|----------------------------|
| Input voltage | 24 V DC (+10 -15%) input A |
| Control voltage | 24 V DC (+10 -15%) input B |
| Control current | 5 mA (input B) |
| Input current | 20 mA (input A) |

Utilization category

| | |
|-------|---------------------------------------------------|
| AC-15 | 3 A (24/110/230 V AC) |
| AC-12 | 6 A (24/110/230 V AC) |
| DC-13 | 1 A (24 V DC); 0.2 A (110 V DC); 0.1 A (230 V DC) |