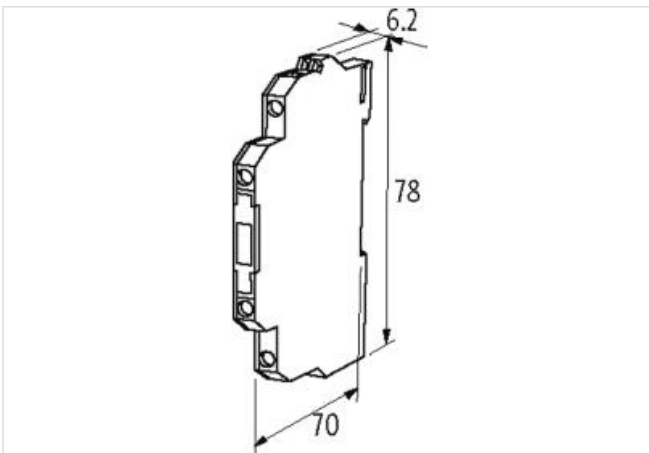
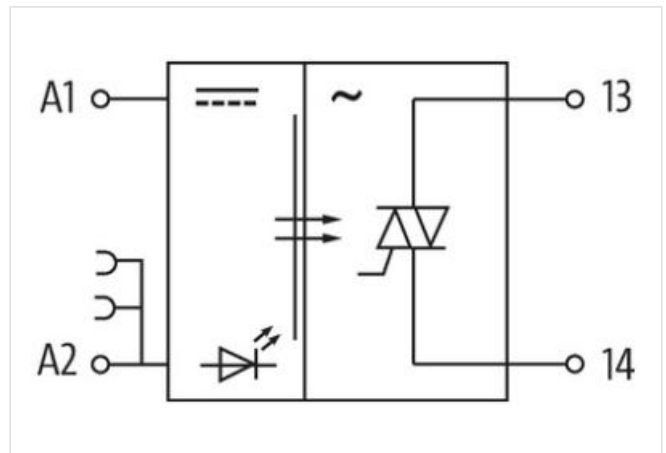


MIRO 6.2 24VDC-250VAC/1A OPTO-COUPLER MODULE

IN: 53 VDC - OUT: 250 VAC / 1 A

Triac 1 A
53 V DC
Screw terminals

[Link to Product](#)**Illustration**

Product may differ from Image

General data

Mounting method	DIN-rail mountable (EN 60715)
Temperature range	0...+60 °C
Test isolation voltage	2.5 kV
Housing	Black plastic, flame retardant
Dimensions H×W×D	78×6.2×70 mm

Output

Leakage current (output is open)	max. 1 mA
Switching time ON/OFF	10/10 ms
Saturation voltage (across output)	max. 1.5 V AC
Switching voltage	12...250 V AC
Switching frequency	max. 2 Hz, depending on suppression

The information in this brochure has been compiled with the utmost care.

Liability for the correctness completeness and topicality of the information is restricted to gross negligence. Version: 2022-08-12

Murrelektronik Ltd. | 5 Albion Street, Pendlebury Industrial Estate, Swinton | Manchester M27 4FG | Fon +44 161 728 3133 | Fax +44 161 728 3130 | shop@murrelektronik.co.uk | shop.murrelektronik.co.uk

Switching current per output 10 mA...1 A

Input

Control current 12 mA (24 V DC)

Voltage range OFF 0...3 V DC

Voltage range ON 12...53 V DC

LED display LED (yellow)