

MVK+ MPNIO DI8 DO8 GALVANIC SEPARATION

MVK ProfiNet Compact module, metal

Digital inputs/outputs

DI8 DO8

Ethernet 10/100 Mbit/s; M12, D-coded

7/8", 5-pole, max. 9 A, protection against reverse polarization

M12, 5-pole, A-coded

FSU (Fast-Start-Up)

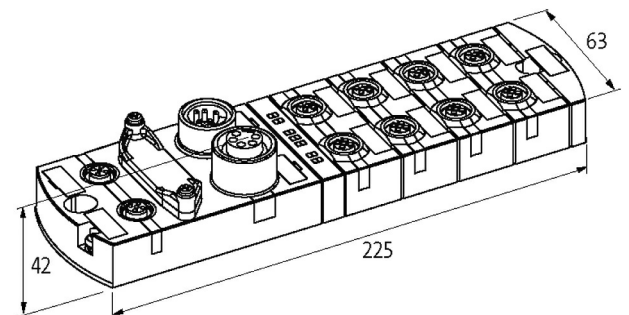
Galvanic isolation

Connection cables are in the online shop under "Connection Technology".

Housing fully potted.

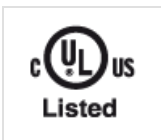
[Link to Product](#)

Illustration



Product may differ from Image

Approvals



More Info



Input

Sensor supply US 24 V DC (EN 61131-2), max. 200 mA (M12 female), short-circuit and overload protected

Type for 3-wire sensors or mechanical switches, PNP

Connections

The information in this brochure has been compiled with the utmost care.

Liability for the correctness completeness and topicality of the information is restricted to gross negligence. Version: 01/21

Murrelektronik Ltd. | 5 Albion Street, Pendlebury Industrial Estate, Swinton | Manchester M27 4FG | Fon +44 161 728 3133 | Fax +44 161 728 3130 | shop@murrelektronik.co.uk | shop.murrelektronik.co.uk

Fieldbus	Ethernet 10/100 Mbit/s; M12, D-coded
Sensor-system/actuator supply	7/8", 5-pole, max. 9 A, protection against reverse polarization
I/O ports	M12, 5-pole, A-coded
General data	
Protection	IP67
Mounting method	2-hole screw mounting
Temperature range	-25...+55 °C (storage temperature -25...+70 °C)
Dimensions H×W×D	39×63×225 mm
PROFINET	
FSU (Fast-Start-Up)	max. 500 ms
Specification	V2.2, Conformance Class B
MRP	yes
Addressing	DCP
Output	
Actuator supply UA	24 V DC (EN 61131-2), max. 9 A
Switching current per output	max. 2 A (short-circuit and overload protected)
Lamp load	10 W
Parameterization	
PIN 4	Input (port 4...7); Output (port 0...3)
PIN 2	Input (port 4...7); Output (port 0...3)
Diagnostic	
Communication status	via LED
Diagnostic via LED	per module and channel
Diagnostic via BUS	per module and channel
Monitoring - under voltage	yes
Monitoring - no voltage	yes
Short-circuit and overload	yes
Actuator warning	per channel via LED and BUS
Cable break	per port
Commercial data	
country of origin	DE
customs tariff number	85389099
EAN	4048879377744
eClass	27242604
Packaging unit	1