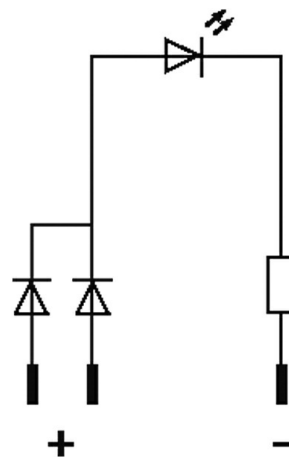
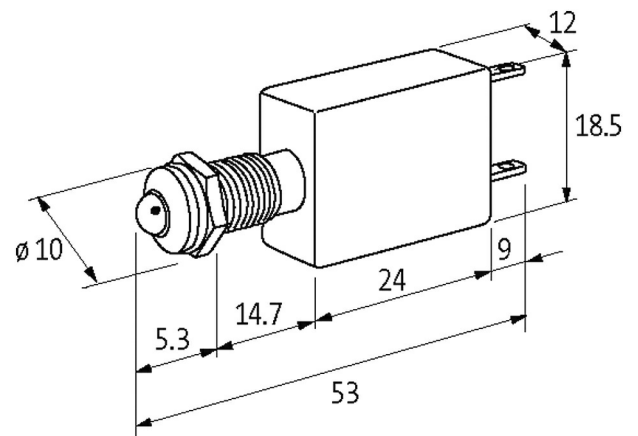


**LED-display 24V DC lamp-test green**

Product discontinued, no alternative

(green)  
24 V DC  
Protection IP40  
with lamp test input

[Link to Product](#)**Illustration**

Product may differ from Image

**Technical Data**

The information in this brochure has been compiled with the utmost care.  
Liability for the correctness completeness and topicality of the information is restricted to gross negligence. Version: 08/21

Operating voltage	24 V AC/DC ±15%
-------------------	-----------------

Current consumption	15 ±2 mA
---------------------	----------

Protection (IEC 60529/EN 60529)	IP40
---------------------------------	------

**General data**

Housing	Adapter - PVC, gray
---------	---------------------

LED Ø	5 mm
-------	------

Front panel hole diameter Ø	8 mm
-----------------------------	------

Dimensions H×W×D	18.5×12×53 mm
------------------	---------------

Connection	Faston 2.8×0.8 mm
------------	-------------------

Temperature range	-40...+70 °C
-------------------	--------------

**Commercial data**

country of origin	DE
-------------------	----

customs tariff number	85318070
-----------------------	----------

EAN	4048879040884
-----	---------------

eClass	27261590
--------	----------

Packaging unit	10
----------------	----