

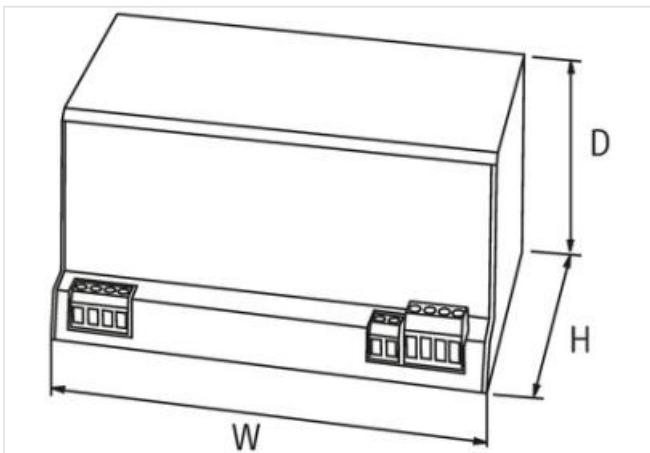
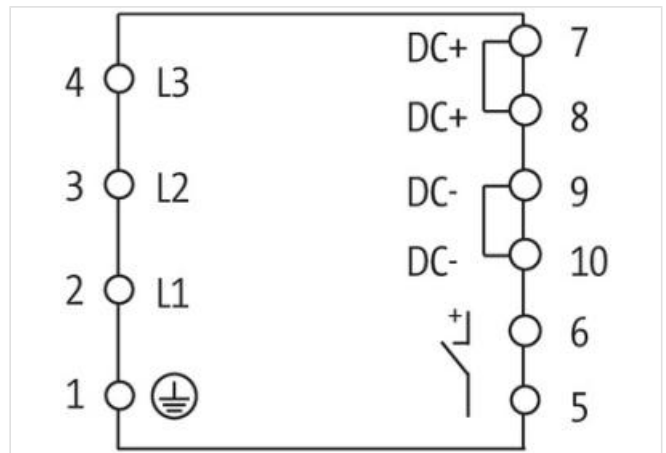
MPS POWER SUPPLY 3-PHASE,

IN: 340-460VAC OUT: 22-28V/10ADC

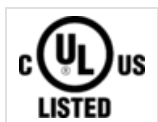
INPUT: 3× 360...440 V AC

OUTPUT: 22...28 V DC

Current: 10 A

[Link to Product](#)**Illustration**

Product may differ from Image

**General data**

Standards	IEC 61010-2-201, EN 61204-3, EN 55022 B
Mounting method	DIN-rail mountable TH35 (EN 60715), additional plate for screw mounting Art.-No. 89500
Temperature range	0...+60 °C (storage temperature -25...+85 °C)
Relative humidity	30...90%, no condensation
Efficiency	90%
Dimensions H×W×D	132×198×97 mm

Output

The information in this brochure has been compiled with the utmost care.

Liability for the correctness completeness and topicality of the information is restricted to gross negligence. Version: 2022-08-12

Murrelektronik Ltd. | 5 Albion Street, Pendlebury Industrial Estate, Swinton | Manchester M27 4FG | Fon +44 161 728 3133 | Fax +44 161 728 3130 | shop@murrelektronik.co.uk | shop.murrelektronik.co.uk

Output voltage	24 V DC (SELV), $\pm 1\%$; 22...28 V adjustable
LED display	LED (green): in operation; LED (red): off; LED (yellow): pre-warning when overheated or overloaded
Phase monitoring	Switching off during 2-phase operation
Output current	10 A (+60 °C); 12 A (+40 °C)
Mains failure bridging time	min. 3 ms (400 V AC)
Ripple	max. 20 mV eff/rms
Spikes	max. 100 mV ss/pp
Unit protection	short-circuit and overload protected
Parallel usage/serial usage	yes/yes

Input

Input voltage	3× 360...440 V AC
Primary fusing external	max. 10 A
Input current	3× 0.42 A
Frequency	50...60 Hz