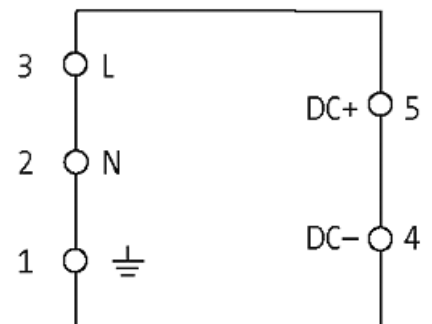
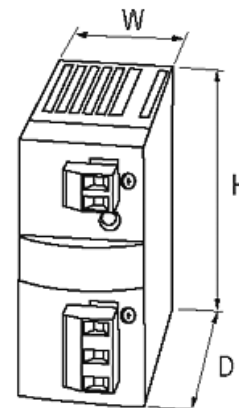


MCS-B POWER SUPPLY 1-PHASE,

IN: 100-240VAC OUT: 24V/0,6ADC

INPUT: 90...265 V AC
 OUTPUT: 24 V DC +3/-1%
 Current: 0.6 A
 Varnished board

[Link to Product](#)**Illustration**

Product may differ from Image

Approvals

**General data**

| | |
|-------------------|---|
| Standards | EN 60950-1, EN 61204-3, EN 55022 B, EN 61000-3-2 |
| Relative humidity | 5...95%, no condensation |
| Efficiency | 81% (100 V AC); 83% (230 V AC) |
| Dimensions H×W×D | 76×38×87.5 mm |
| Mounting method | DIN-rail mountable TH35 (EN 60715) |
| Temperature range | -25...+40 °C, ...+50 °C derating (storage temperature -25...+85 °C) |

Output

| | |
|-----------------------------|---|
| Output voltage | 24 V DC (SELV), ±1%; 22...28 V adjustable |
| Output current | 0.6 A (+50 °C); 0.5 A (+60 °C) |
| Mains failure bridging time | min. 25 ms (100 V AC); min. 150 ms (230 V AC) |
| Ripple | max. 50 mV eff/rms |
| Spikes | max. 350 mV ss/pp |
| Unit protection | short-circuit and overload protected |
| LED display | LED (green) for output voltage |
| Parallel usage/serial usage | max. 5 units/max. 2 units |

Input

| | |
|---------------------------|------------------------------------|
| Input voltage | 90...265 V AC/110...300 V DC |
| Input current | 0.3 A (100 V AC); 0.2 A (230 V AC) |
| Inrush current after 1 ms | max. 20 A |
| Primary fusing external | max. 10 A |
| Frequency | 50...60 Hz |

Commercial data

| | |
|-----------------------|---------------|
| country of origin | CZ |
| customs tariff number | 85044090 |
| EAN | 4048879359344 |
| eClass | 27049002 |
| Packaging unit | 1 |