

MB CAP ULTRA BUFFER MODUL

IN: 20,4-26,4VDC OUT:23VDC/3A for max.1A/21S

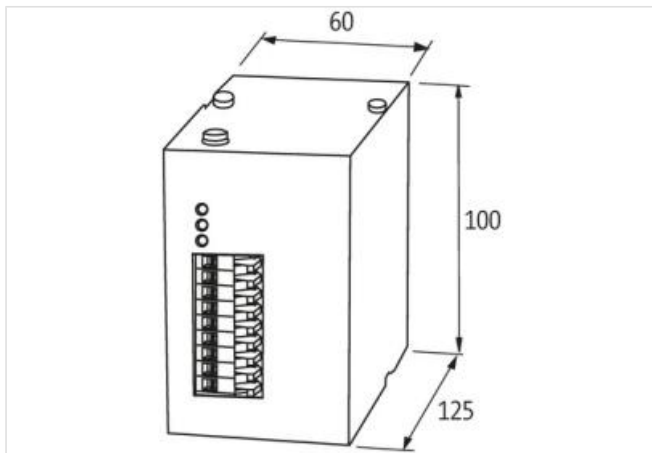
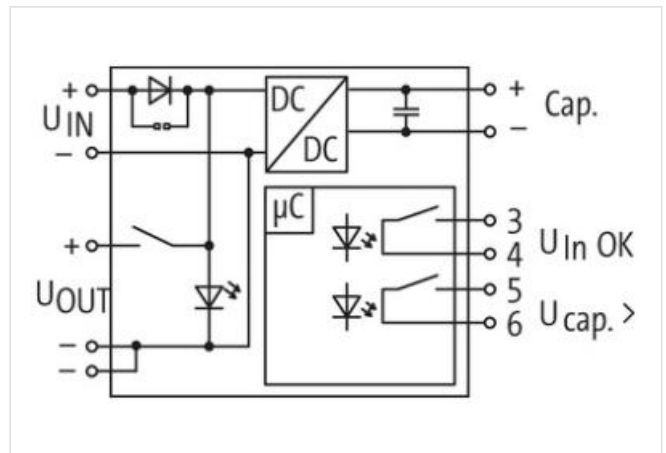
INPUT: 24 V DC (SELV/PELV)

OUTPUT: max. 3 A

7 s (3 A); 21 s (1 A)

Link to Product

Illustration



Product may differ from Image



General data

Standards	EN 60950, EN 50178, SELV/PELV
Mounting method	DIN-rail mountable TH35 (EN 60715)
Temperature range	-20...+60 °C (storage temperature -20...+60 °C)
Efficiency	90%

Output

Output voltage	23 V DC $\pm 2\%$
----------------	-------------------

Buffer time	7 s (3 A); 21 s (1 A)
Output current	max. 3 A (+60 °C)

Input

Input voltage	20.4...26.4 V DC
Loading time	min. 25 s
Input current	3 A