

EMPARRO IP67 Power Supply 1-phase

OUT: 24VDC 10A - 7/8" 4P - SELV

Emparro®67 Hybrid

2× MICO 7/8" IOL

4-pole

Current: 10 A

INPUT: 90...265 V AC/90...265 V DC

OUTPUT: 24...28 V DC

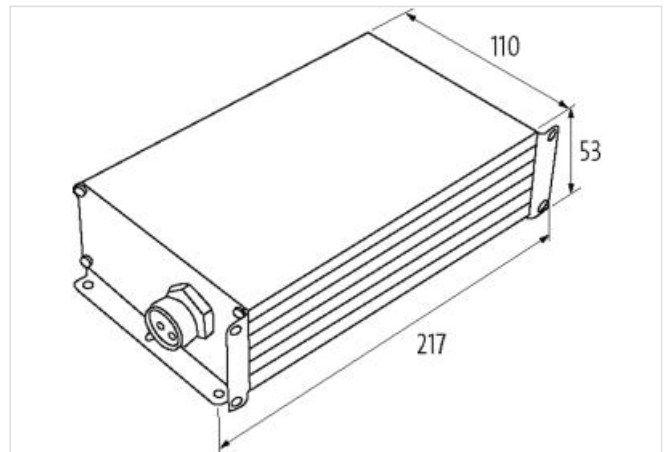
Preventive Diagnostic

Over current protection device

controllable via IO-Link

Link to Product**Illustration**

Product may differ from Image

**General data**

| | |
|-------------------|---|
| Standards | IEC 61010-2-201, EN 61204-3, EN 55022 B, EN 61000-3-2 |
| Mounting method | 6 hole screw mounting |
| Temperature range | -25...+50 °C, ...+80 °C derating (storage temperature -25...+85 °C) |
| MTBF | 430 000 h |
| Relative humidity | 4...100% |
| Protection | IP67 |
| Efficiency | 91.6% (115 V AC); 92.8% (230 V AC) |
| Dimensions HxWxD | 216x110x53 mm |

Output

| | |
|-----------------------------|--|
| Output voltage | 24 V DC (SELV), ±1%; 24...28 V adjustable |
| LED display | LED (green): OK; LED (red): overload, overheating or short-circuit |
| Connection | 7/8" (female), 4-pole |
| Output current | max. 8 A (per channel), max. 10 A (total) |
| Mains failure bridging time | min. 20 ms (230 V AC) |
| Ripple | max. 10 mV eff/rms |
| Spikes | max. 150 mV ss/pp |

The information in this brochure has been compiled with the utmost care.

Liability for the correctness completeness and topicality of the information is restricted to gross negligence. Version: 2022-08-12

Murrelektronik Ltd. | 5 Albion Street, Pendlebury Industrial Estate, Swinton | Manchester M27 4FG | Fon +44 161 728 3133 | Fax +44 161 728 3130 | shop@murrelektronik.co.uk | shop.murrelektronik.co.uk

| | |
|-----------------------------|--|
| Unit protection | Short-circuit, overload and temperature |
| Parallel usage/serial usage | no |
| No. of channels | 2× MICO (Over current protection device) |
| Input | |
| Input voltage | 90...265 V AC/90...265 V DC |
| Connection | 7/8" (male), 3-pole |
| Input current | 1.2 A (240 V AC) |
| Inrush current after 1 ms | max. 5.9 A (230 V AC) |
| Power factor | 0.88 (230 V AC) |
| Frequency | 50...60 Hz |
| Input fuse (internal) | 6.3 A (T) |
| Article No. | 85677 |