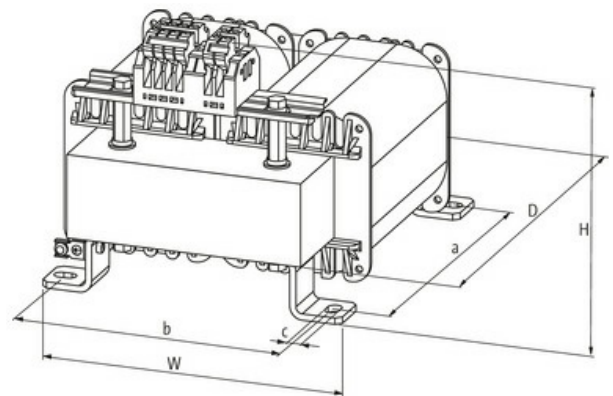
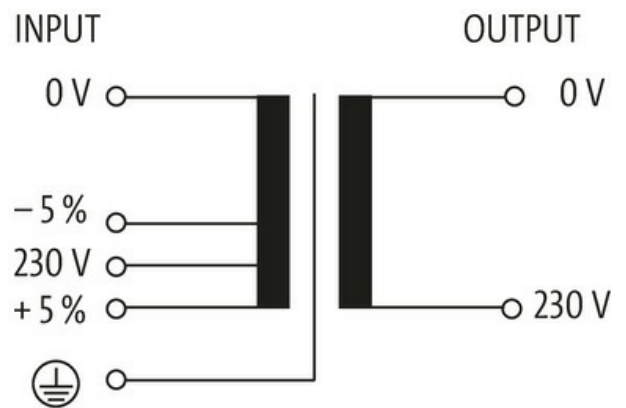


**MET 1-PHASE CONTROL AND ISOLATION TRANSFORMER**

P: 4000VA IN: 230VAC+/- 5% OUT: 230VAC

Single-phase - Control and Isolation Transformers  
 4000 VA  
 Isolation class T 40/B

[Link to Product](#)**Illustration**

Product may differ from Image

**Approvals**

The information in this brochure has been compiled with the utmost care.  
 Liability for the correctness completeness and topicality of the information is restricted to gross negligence. Version: 08/21



### More Info

#### Bus technologies

### General data

Standards	EN 61558-1, EN 61558-2-4, EN 62041 category 0
Mounting method	Long-hole mounting
Temperature range	-20...+40 °C (storage temperature -40...+80 °C)
Test isolation voltage	4 kV (prim./sec.)
Drill hole Ø	9×14 mm
Fixing centers a×b×c	200×174×9 mm
Dimensions H×W×D	206×198×250 mm

### Output

Output voltage	230 V AC
Output rating	4000 VA

### Input

Input voltage	219 V;230 V;242 V
Inrush current	337 A (230 V AC)
Short-circuit current	807.5 A (230 V AC)
Input current	18 A (230 V AC)
Frequency	50...60 Hz

### Commercial data

country of origin	CZ
customs tariff number	85043200
EAN	4048879078795
eClass	27031302
Packaging unit	1.000