

MVP12, 4XM12, 5POLE, PLUG. CAP SPT

Plug. cap, field-wireable via spring terminals

4-way, 5-pole

Spring clamp plug-in terminals

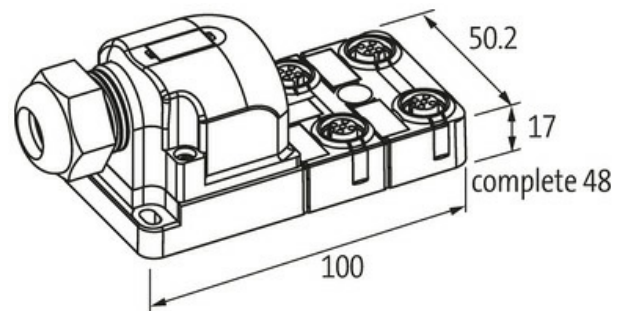
Potential separation as option

Plastic housings with good resistance against chemicals and oils.

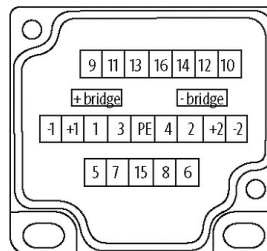
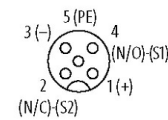
The resistance to aggressive media should be individually tested for your application. Further details on request.

[Link to Product](#)

Illustration



M12 Females 5-pole



for 2 signals per port

Product may differ from Image

Approvals

**More Info**

Bus technologies

General data

Temperature range	-20...+80 °C
Dimensions HxWxD	100x50.2x17 mm

Technical Data

Operating voltage	24 V DC
Operating current per contact	max. 4 A
Locking of ports	Screw thread (M12x1 mm)
Connection	Spring clamp plug-in terminals: max. 1.5 mm ² (AWG 16)
Protection	IP67 inserted and tightened (EN 60529)
Housing	Plastic, flame retardant
Signal per port	2
Total current	max. 2x 8 A

Contact Layout

PIN 1	(+)
PIN 2	(NC)/(S2)
PIN 3	(-)
PIN 4	(NO)/(S1)
PIN 5	(Earth)
	LED (green): Power / LED (yellow): (S1/S2)

Commercial data

country of origin	DE
customs tariff number	85369010
EAN	4048879063364
eClass	27279219
Packaging unit	1.000